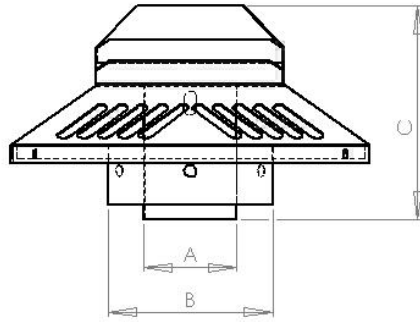
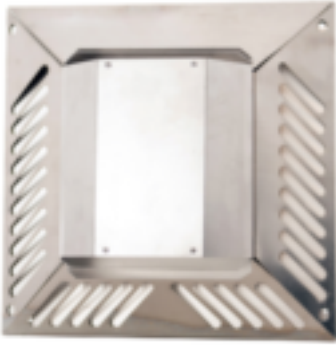


HORIZONTAL TERMINATION CAP



DIAMETER	CODE	A	B	C
4"-7"	DVTC47H	3.5"	6.5"	9"
5"-8"	DVTC58H	4.5"	7.5"	9"

Use to terminate a horizontal direct vent installation.

Made of 3003 Aluminum 22 gauge.

Tested and approved in accordance to UL 1777 and ULC S635 standards.

Can be made in different sizes to accommodate most direct vent appliances.